



# DDPB22-RJ12

Network Junction Box

Providing installers with flexible networking options onsite

The Philips Dynalite DDPB22-RJ12 facilitates termination of 22 DyNet flat cables in one location. Flat data cable is specifically designed for high-reliability localized network wiring.

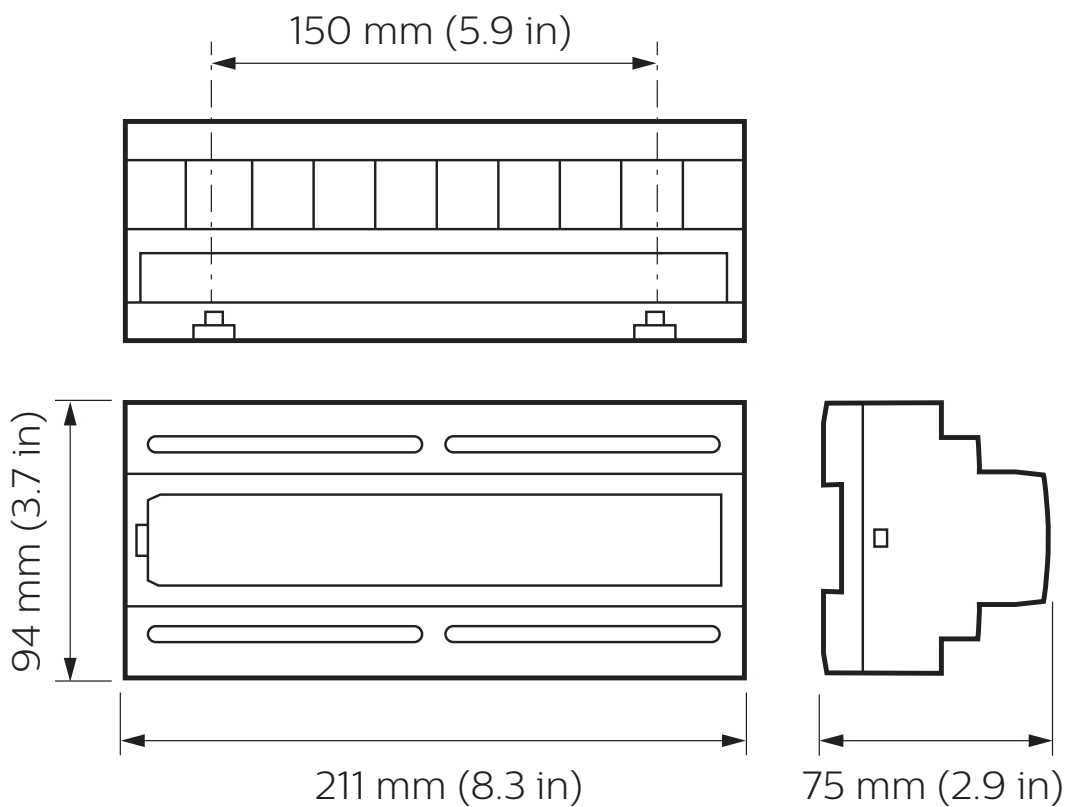
# DDPB22-RJ12

Providing installers with flexible networking options onsite

- **Acts as a junction box** – Provides flexible networking options.
- **Facilitates faster installation** – The device takes advantage of the RJ12 connection system, allowing for a quick install and simple implementation of a star network topology.
- **Complements DyNet flat cable** – Cable is available in 200 m roll or pre-terminated leads of 3, 5 or 10 m.

---

## Dimensions



# Specifications

Due to continuous improvements and innovations, specifications may change without notice.



**DDPB22-RJ12**  
Network Junction Box

## Controls

Indicators	Network connection LED (internal)
------------	-----------------------------------

## Physical

Dimensions (H x W x D)	94 x 211 x 75 mm (3.7 x 8.3 x 2.9 in)
Packed Weight	0.94 kg (2.07 lb)
Construction	Polycarbonate DIN-rail enclosure (12 unit)
Serial Ports	1 x screw terminal 22 x RJ12
Serial Port Conductor Size	2.5 mm <sup>2</sup> (max)

## Environment

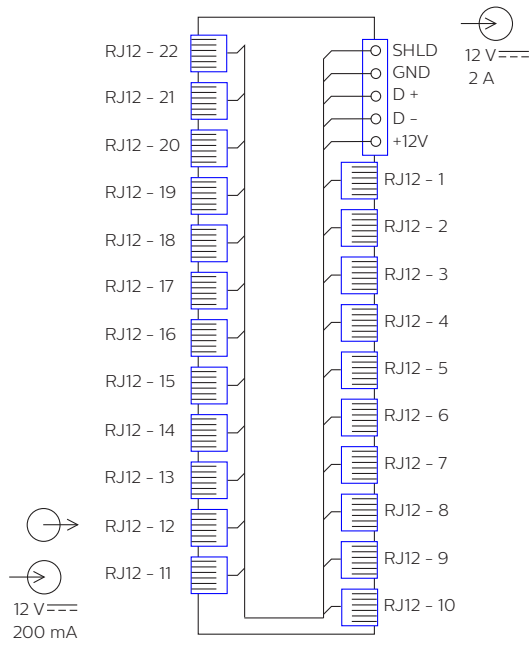
Operating Temperature	0° to 40°C ambient (32° to 104°F)
Storage/Transport Temperature	-25° to 60°C ambient (-13° to 140°F)
Humidity	0 to 90% non-condensing
IEC Pollution Degree	II

## Compliance

Certification	CE, RCM, RoHS
---------------	---------------



## Electrical / Other Diagrams



## Ordering Code

### Product

DDPB22-RJ12

### Philips 12NC

913703097809



© 2018 Signify Holding. All rights reserved. Specifications are subject to change without notice. No representation or warranty as to the accuracy or completeness of the information included herein is given and any liability for any action in reliance thereon is disclaimed. Philips and the Philips Shield Emblem are registered trademarks of Koninklijke Philips N.V. All other trademarks are owned by Signify Holding or their respective owners.